

ADC AD-78

75-lb Capacity OPL Dryer

Standard Features:

- 75-lb. capacity
- 22.40 cu. ft basket volume
- 204,000 Btu/hr heat input, 1,200 cfm airflow
- Radial Airflow
- Steel door with gasketless glass
- 10" diameter vent connection
- Fits through standard 36" door
- Extra wide 44 1/2" diameter drum for excellent air circulation and drying
- Large 31 3/8" door
- Fits through a standard 36" door
- Available in gas and electric heat

Optional Features:

- Stainless steel front, cabinet & basket
- Reversing basket
- S.A.F.E. (Sensor Activated Fire Extinguishing System)



AD-78 OPL Dryer

Why Purchase ADC AD-78?

Engineer Driven Design That is Built to Last

Our dryers showcase ADC's engineer-driven approach to design. Bearings are permanently lubricated on the motor and drive system. There are no chains used at ADC; rather, we use V-belts and pulleys for smooth, quiet, and trouble free operation. Our dryer cabinets are electrostatically powder-painted inside and out then baked at 420-degrees fahrenheit before final assembly - ensuring the hardest surface and the longest lasting finish in the industry.

Rugged Steel Door with Gasketless Door Glass

Our dryer doors are one solid piece of steel with gasketless glass. This eliminates the issue of glass falling out due to wear and tear on rubber gaskets that some manufacturers use to secure their glass. The security and durability that gasketless glass provides is essential to a successful laundromat operation.

Easy-to-Read, Multilingual Controls

We were the first to bring computer operated dryers to the market and today we continue to be a leader in applying technology to dryer operation. Our years of experience along with our accessible design, easy-to-read LED screens and our user friendly multilingual interface positions ADC as the pioneer in the laundry industry.

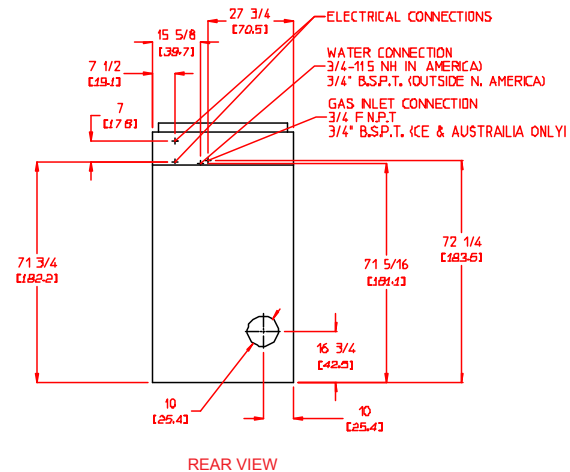
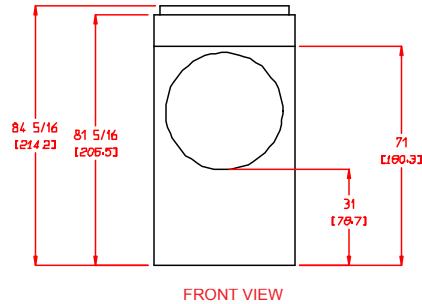
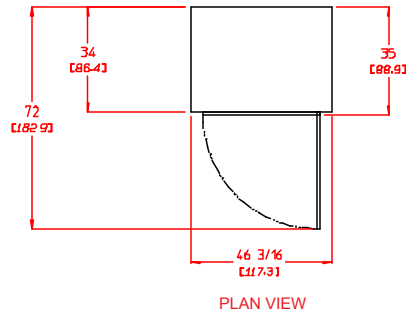
Your local ADC independent authorized distributor



ADC AD-78

AD-78 Specifications

Tumbler Capacity (dry weight)	75 lbs. (34.02 kg)	
Tumbler Diameter	44-1/2" (113.03 cm)	
Tumbler Depth	24-7/8" (63.18 cm)	
Tumbler Volume	22.40 cu ft (634.30 L)	
Tumbler/Drive Motor	1 hp* (0.75 kW)	
Blower/Fan Motor	1/2 hp (0.37 kW)	
Door Opening (Diameter)	31-3/8" (79.69 cm)	
Door Sill Height	31" (78.74 cm)	
S.A.F.E. Water Connection	3/4"-11.5 NH (North America) 3/4" B.S.P.T. (Outside North America)	
Dryers per 20'/40' Container	10 / 20	
Dryers per 48'/53' Truck	25 / 27	
Width	46-3/16" (117.3 cm)	
Depth	35" (88.9 cm)	
Height	84-5/16" (214.2 cm)	
Airflow gas/electric	60 Hz 50 Hz	1,200 cfm (33.98 cmm) 1,000 cfm (28.31 cmm)
Exhaust Connection	10" (25.40 cm)	
GAS MODEL:	Approx. Net Wt. Approx. Ship Wt. Heat Input	888 lbs (402.79 kg) 938 lbs (425.47 kg) 204,000 btu/hr (51,407 kcal/hr)
	Inlet Pipe Connection	3/4" B.S.P.T. (CE and Australia Only)
ELECTRIC MODEL:	Approx. Net Wt. Approx. Ship Wt.	888 lbs (402.79 kg) 938 lbs (425.47 kg)
	Oven Size per pocket	
	kW	Btu/hr (kcal/hr)
	24	81,900 (20,600)
	36	122,800 (31,000)



Specifications in parentheses are metric equivalents.

5/23/06

* For single-phase (1Ø) dryers use 1 motor: 1 hp drive/fan. For three-phase (3Ø) non-reversing dryers use 1 motor: 1 hp drive/fan and for three-phase (3Ø) reversing dryers use 2 motors: 1 hp fan and 1/2 hp drive.

Electrical Service Specifications

SERVICE VOLTAGE	PHASE	WIRE SERVICE	APPROX AMP DRAW		CIRCUIT BREAKER
			60 Hz	50 Hz	
24 kW Electric					
208	3Ø	3	71	--	90
240	3Ø	3	--	--	--
380	3Ø	4*	--	--	--
400	3Ø	4*	--	--	--
416	3Ø	4*	--	--	--
460	3Ø	3	--	--	--
480	3Ø	3	--	--	--
480	3Ø	3	--	--	--
36 kW Electric					
208	3Ø	3	105	--	150
220	3Ø	3	99	--	125
230	3Ø	3	--	--	--
240	3Ø	3	92	--	125
380	3Ø	4*	--	58	75
400	3Ø	4*	--	--	--
416	3Ø	4*	--	53	70
460	3Ø	3	48	--	60
480	3Ø	3	46	--	60

Electrical Service Specifications

GAS					
SERVICE VOLTAGE	PHASE	WIRE SERVICE	APPROX AMP DRAW		CIRCUIT BREAKER
			60 Hz	50 Hz	
120	1Ø	2	13.0	--	20
208	1Ø	2	7.6	--	15
230	1Ø	2	--	8.0	15
240	1Ø	2	7.0	--	15
208	3Ø	3	4.7	--	15
230	3Ø	3	--	4.7	15
240	3Ø	3	4.9	--	15
380	3Ø	4*	--	2.9	15
400	3Ø	4*	--	3.1	15
416	3Ø	4*	--	3.1	15
460	3Ø	3	2.8	--	15
480	3Ø	3	2.8	--	15



P/N 451031 10/10

88 Currant Road Fall River, MA 02720-4781 • 508.678.9000 • Fax: 508.678.9447 • Email: sales@amdry.com

www.amdry.com